

**WALL MOUNTING BRACKET SR-WB4**

The SR-WB4 is designed to be used exclusively to mount the SR-S4L Line Array Speaker on a wall. It allows the speaker orientation angle to be adjusted to 30° max. horizontally. Using the optional SR-EP4 Extension Plate, it can joint up to 2 speakers. Since the bracket is designed for indoor use, do not install it outdoors.

**1. SAFETY PRECAUTIONS**

- Before installation or use, be sure to carefully read all the instructions in this section for correct and safe operation.
- Be sure to follow all the precautionary instructions in this section, which contain important warnings and/or cautions regarding safety.
- After reading, keep this manual handy for future reference.

**WARNING**  
Indicates a potentially hazardous situation which, if mishandled, could result in death or serious personal injury.

- Refer all installation work to the dealer from whom the unit was purchased. Installation requires extensive technical knowledge and experience. The speaker may fall off if incorrectly installed, resulting in possible personal injury.
- Install the unit only in a location that can structurally support the weight of the unit and the speaker. Doing otherwise may result in the speaker falling down and causing personal injury and/or property damage.
- Owing to the speaker's size and weight, be sure that at least two persons are available to install the speaker. Failure to do so could result in personal injury.
- Do not use other methods than specified to mount the bracket. Extreme force is applied to the unit and the speaker could fall off, possibly resulting in personal injuries.
- Use nuts and bolts that are appropriate for the wall's structure and composition. Failure to do so may cause the speaker to fall, resulting in material damage and possible personal injury.
- Tighten each nut and bolt securely. Ensure that the bracket has no loose joints after installation to prevent accidents that could result in personal injury.
- Do not mount the unit in locations exposed to constant vibration. The mounting bracket can be damaged by excessive vibration, potentially causing the speaker to fall, which could result in personal injury.

**CAUTION**  
Indicates a potentially hazardous situation which, if mishandled, could result in moderate or minor personal injury, and/or property damage.

- Avoid touching the unit's sharp metal edge to prevent injury.
- Do not stand or sit on, nor hang down from the unit as this may cause it to fall down or drop, resulting in personal injury and/or property damage.
- Have the unit checked periodically by the shop from where it was purchased. Failure to do so may result in corrosion or damage to the unit that could cause the unit to fall, possibly causing personal injury.

**2. INSTALLATION**

**Step 1.** Fix the bracket base on a wall.  
Mounting pitch differs depending on whether 1 or 2 speakers are mounted.

**WARNING**  
Bolts and nuts used to fix a bracket base on a wall are not included. Use bolts and nuts that are appropriate for the construction of wall.

**Step 2.** Remove the screws on both sides of the speaker.  
When jointing 2 speakers, use the optional SR-EP4 Extension Plate.  
For speaker joint, refer to the instruction manual enclosed with the SR-S4L Line Array speaker.

**Note**  
Up to 2 speakers can be joined and mounted. Never join more than 2 speakers.

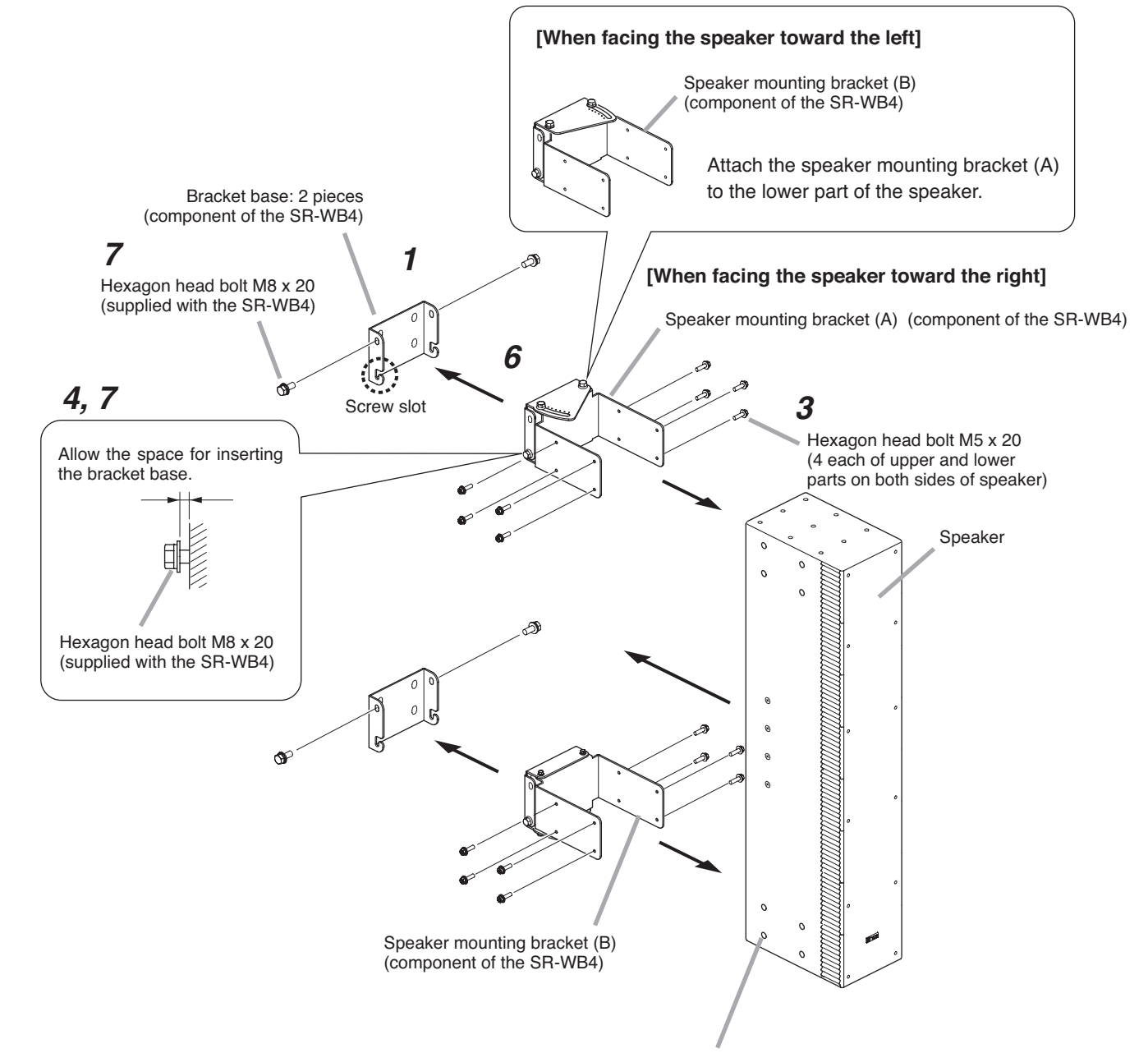
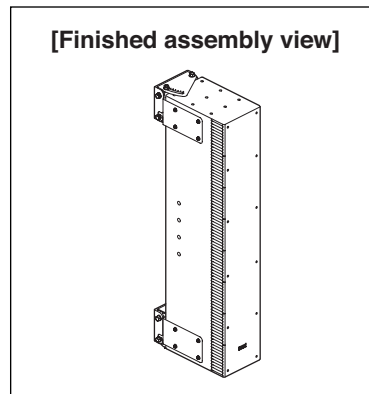
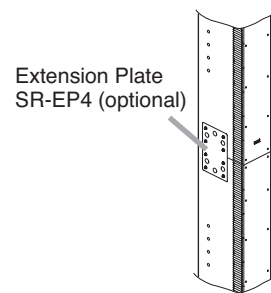
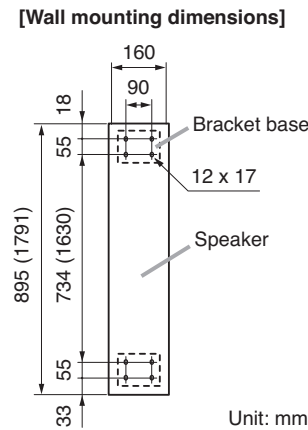
**Step 3.** Attach the speaker mounting bracket (A) and (B) to the speaker.  
When facing the speaker toward the right, attach Bracket (A) to the upper part of the speaker and Bracket (B) to the lower part. Conversely, when facing the speaker toward the left, attach Bracket (B) to the upper part and Bracket (A) to the lower part.

**Step 4.** Fix the hexagon head bolts (1 each on both sides of upper and lower brackets) loosely to the speaker mounting bracket.

**Step 5.** Connect a speaker cable to the speaker.

**Step 6.** Insert the loosely fitted bolts into the bracket base's screw slots.

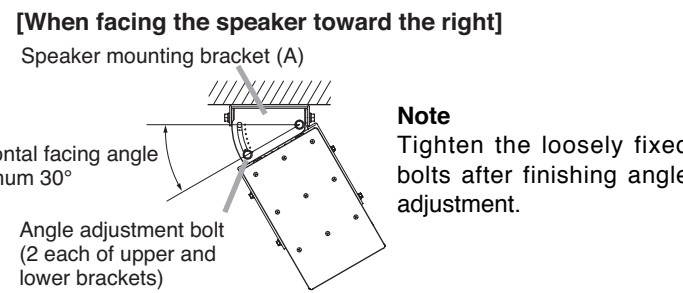
**Step 7.** Tighten the hexagon head bolts (1 each on both sides of upper and lower brackets) to securely fix the speaker brackets.  
At the same time tighten 4 loosely fixed bolts in step 4.



**2** Remove the 16 attached screws (in upper and lower parts on both sides of speaker).  
**Note**  
The removed screws are not used.

**3. ADJUSTING THE SPEAKER ORIENTATION**

Loosen the angle adjustment bolts of the speaker brackets to determine the speaker orientation. The speaker brackets are marked in 5° for angle reference purposes.



**4. SPECIFICATIONS**

Number of Speakers to be Mounted	Max. 2 (when jointed with an optional SR-EP4)
Finish	Steel plate, white, paint
Weight	4.6 kg (including accessories)
Product Composition	Speaker mounting bracket A ..... 1, Speaker mounting bracket B ..... 1, Bracket base ..... 2

**Note:** The design and specifications are subject to change without notice for improvement.

- **Accessories**  
Hexagon head bolt M8 x 20 (with washer) ..... 8  
Hexagon head bolt M5 x 20 (with washer) ..... 16
- **Option**  
Extension plate: SR-EP4